

4

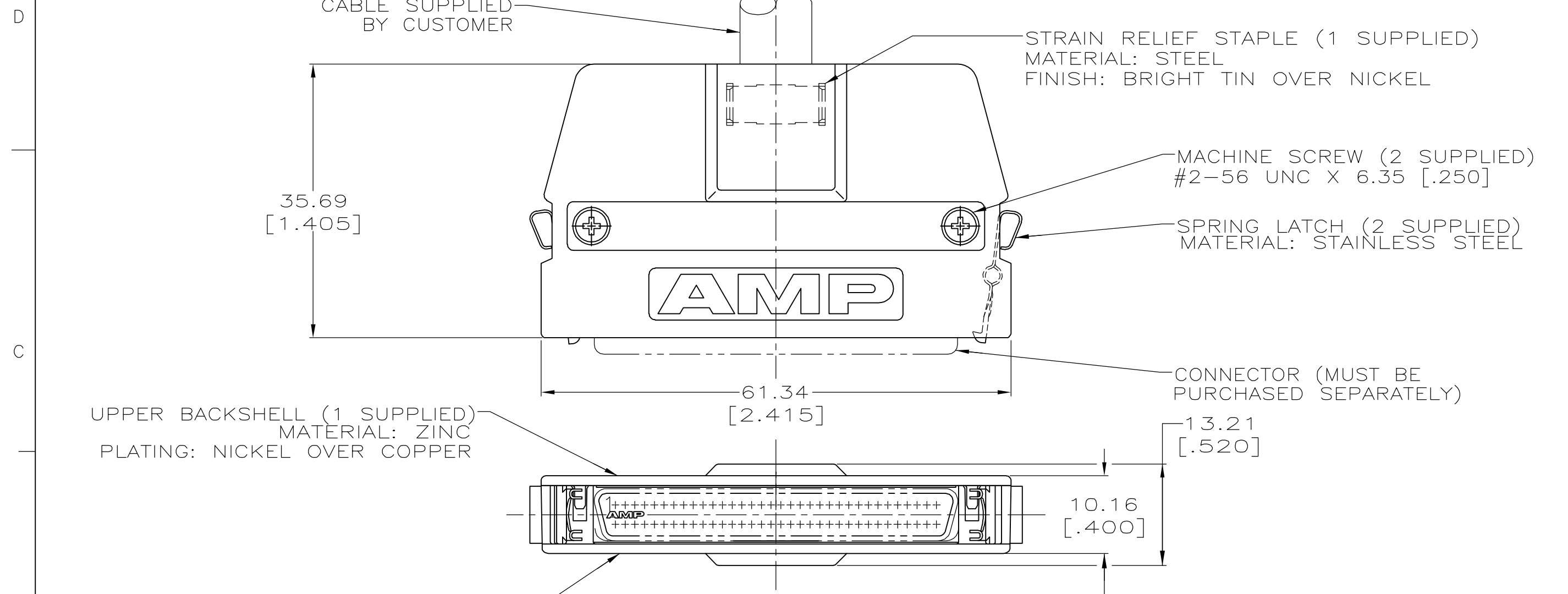
3

2

1

THIS DRAWING IS UNPUBLISHED. RELEASED FOR PUBLICATION  
 © COPYRIGHT BY TYCO ELECTRONICS CORPORATION. ALL RIGHTS RESERVED.

LOC	DIST	REVISIONS			
P	LTR	DESCRIPTION	DATE	DWN	APVD
GP	00	0	RELEASED PER EC OS13-0001-05	25AUG05	GP JG



CABLE SUPPLIED BY CUSTOMER

STRAIN RELIEF STAPLE (1 SUPPLIED)  
 MATERIAL: STEEL  
 FINISH: BRIGHT TIN OVER NICKEL

MACHINE SCREW (2 SUPPLIED)  
 #2-56 UNC X 6.35 [.250]

SPRING LATCH (2 SUPPLIED)  
 MATERIAL: STAINLESS STEEL

CONNECTOR (MUST BE PURCHASED SEPARATELY)

UPPER BACKSHELL (1 SUPPLIED)  
 MATERIAL: ZINC  
 PLATING: NICKEL OVER COPPER

LOWER BACKSHELL (1 SUPPLIED)  
 MATERIAL: ZINC  
 PLATING: NICKEL OVER COPPER

1 11.18 [.440] MAX CABLE DIA  
 2. PARTS PACKAGED AS A UNIT KIT.

**COPYRIGHT 2005  
 TYCO ELECTRONICS CORP  
 ALL RIGHTS RESERVED**

5749195-2  
 PART NO

THIS DRAWING IS A CONTROLLED DOCUMENT.		DWN G.PETERS 25AUG05	<b>tyco</b> Tyco Electronics Corporation	
DIMENSIONS: mm [INCHES]		CHK S.SHUEY 25AUG05	<b>Electronics</b> Harrisburg, Pa 17105-3608	
TOLERANCES UNLESS OTHERWISE SPECIFIED:		APVD M.WALMSLEY 25AUG05	NAME	
0 PLC ± -		PRODUCT SPEC -	INDIVIDUAL KIT, UNASSEMBLED, 68 POSITION, STRAIGHT EXIT, UNKEYED, AMPLIMITE .050 Series	
1 PLC ± -		APPLICATION SPEC -	SIZE A3	RESTRICTED TO -
2 PLC ± -		WEIGHT -	CAGE CODE 00779	DRAWING NO C-5749195
3 PLC ± 0.38[.015]		CUSTOMER DRAWING	SCALE 1:1	SHEET 1 OF 1
4 PLC ± -			REV 0	
ANGLES ± -				
MATERIAL -				
FINISH -				